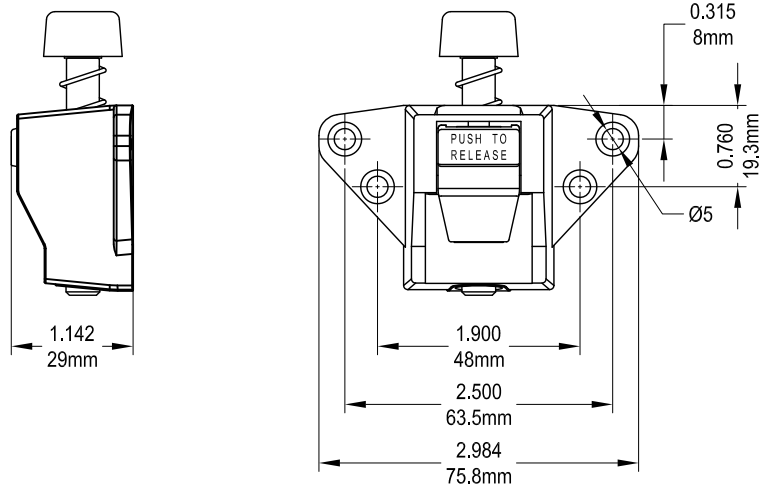
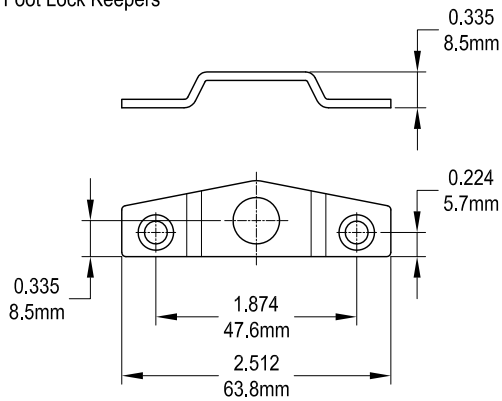


# Winged Base Foot Lock Kit



Foot Lock Keepers



Pan Head Screws



ST4.2X25

Part Number : 132-531

Includes

- (1)Winged Baes Foot Lock Kit
- (2)Foot Lock Keepers
- (8)ST4.2X25 Pan Head Screws