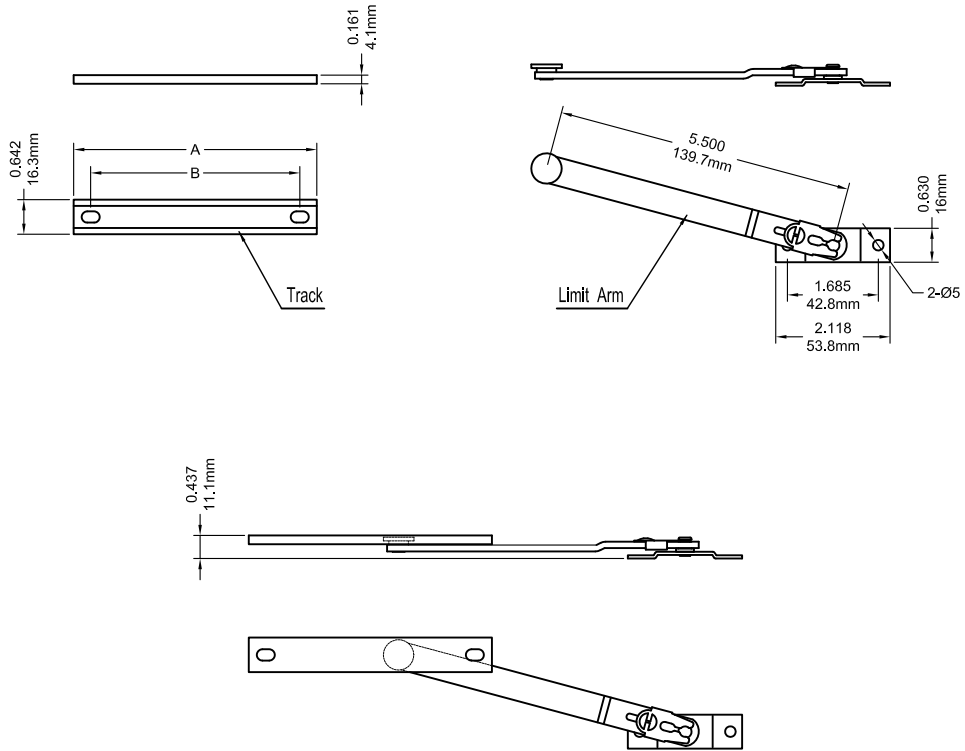


Limit Device



Part Number	A	B
70001	4.508"	3.878"
70002	6.300"	5.670"
70003	3.252"	2.622"