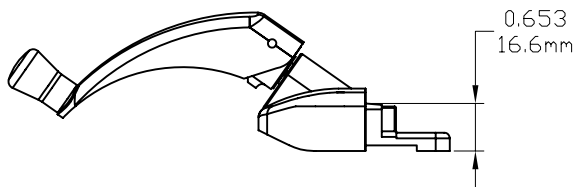
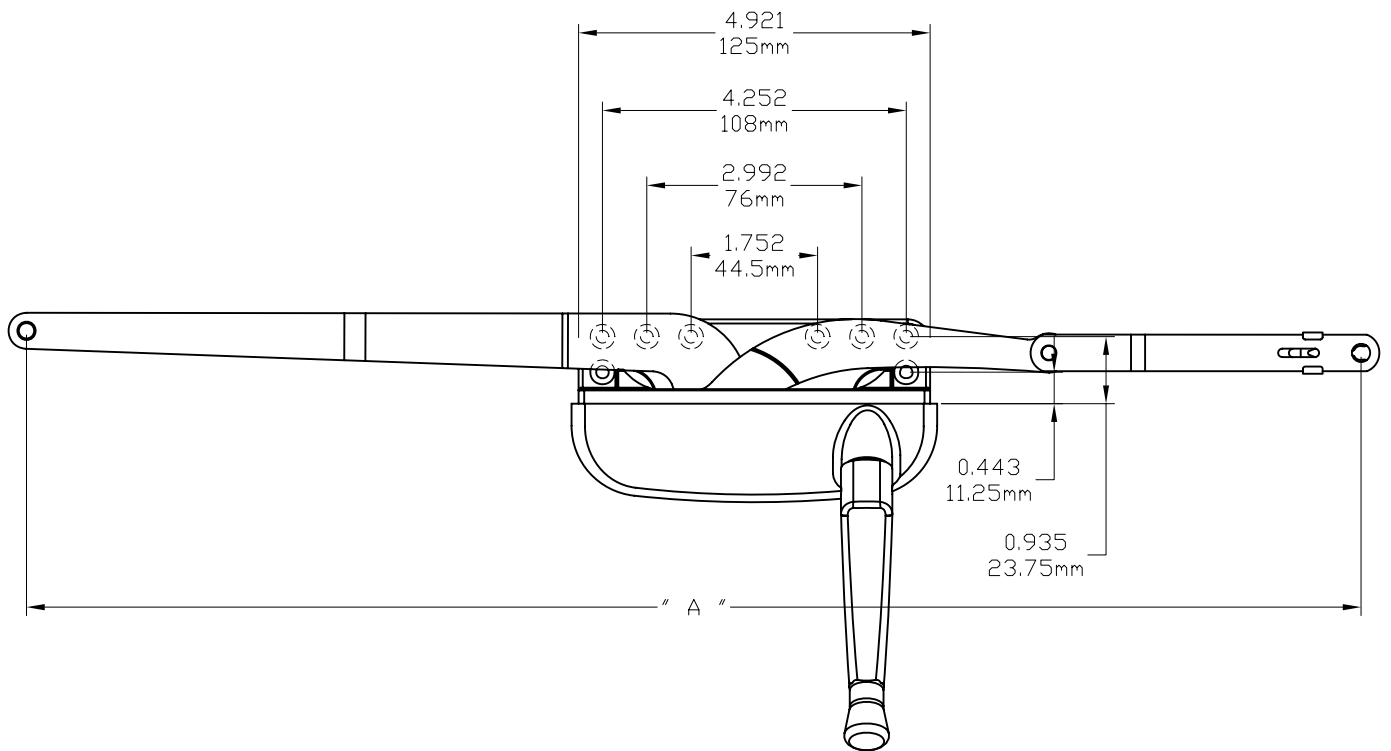
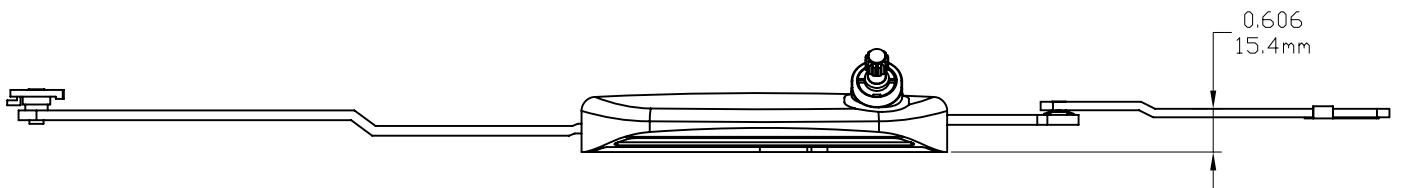


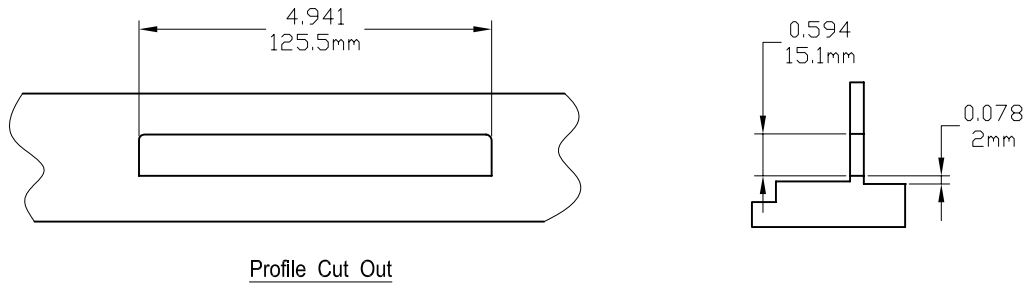
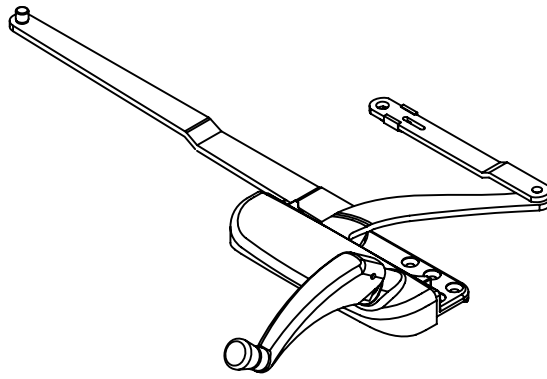
Grande Case Dual Arm Operator (Sill Mount)



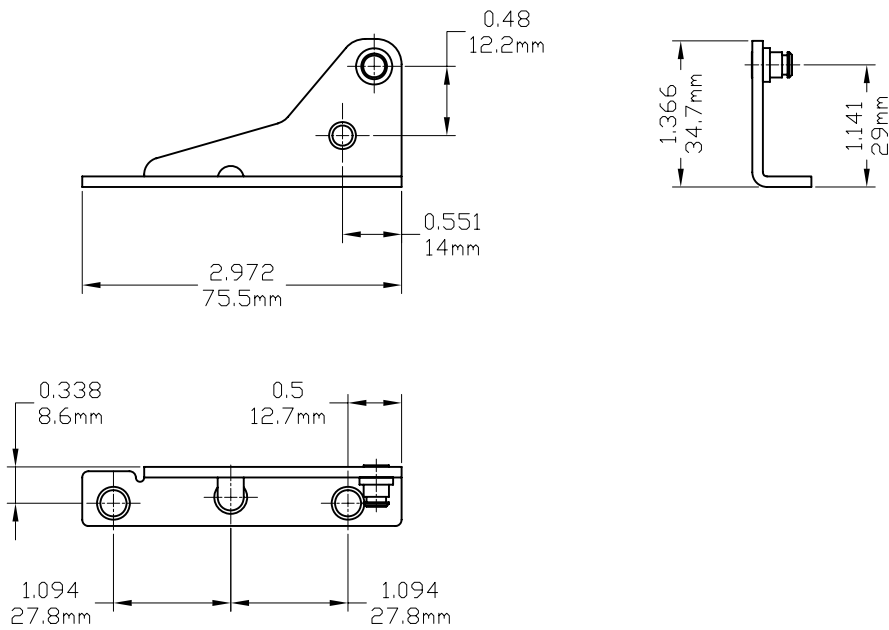
LEFT HAND SHOWN



Product Name	Part Number	" A "
Grande Dual Arm Operator , RH	132626-R	18.834"
Grande Dual Arm Operator , LH	132626-L	18.834"
Grande Short Arm Dual Arm Operator , RH	132626S-R	15.945"
Grande Short Arm Dual Arm Operator , LH	132626S-L	15.945"

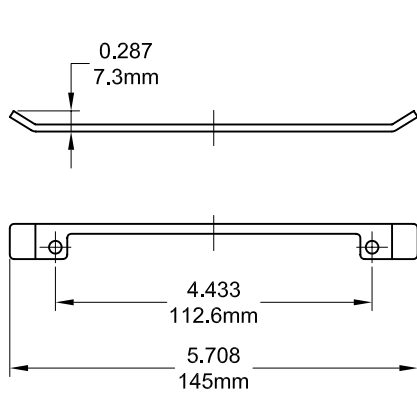


Stud Bracket (Right Hand Shown)



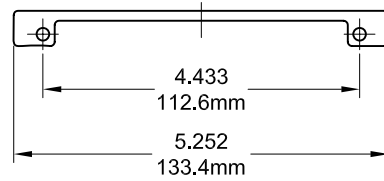
Part Number	Material	Hand
70455	SST	RH
70456	SST	LH
190455	Steel	RH
190456	Steel	LH

Back Plate

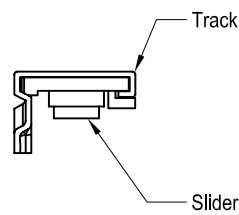
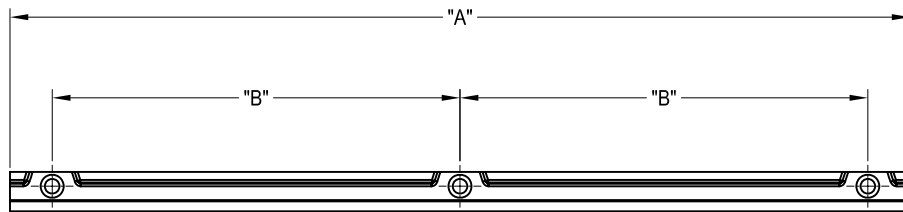
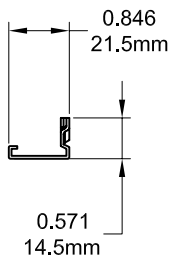


19026

19027



Track



Dual Arm Operator Track 3 Holes			
Part Number	" A "	" B "	Material
70051	14.449"	6.496"	SST
190051	14.449"	6.496"	Steel
70052	12.598"	5.708"	SST
190052	12.598"	5.708"	Steel